

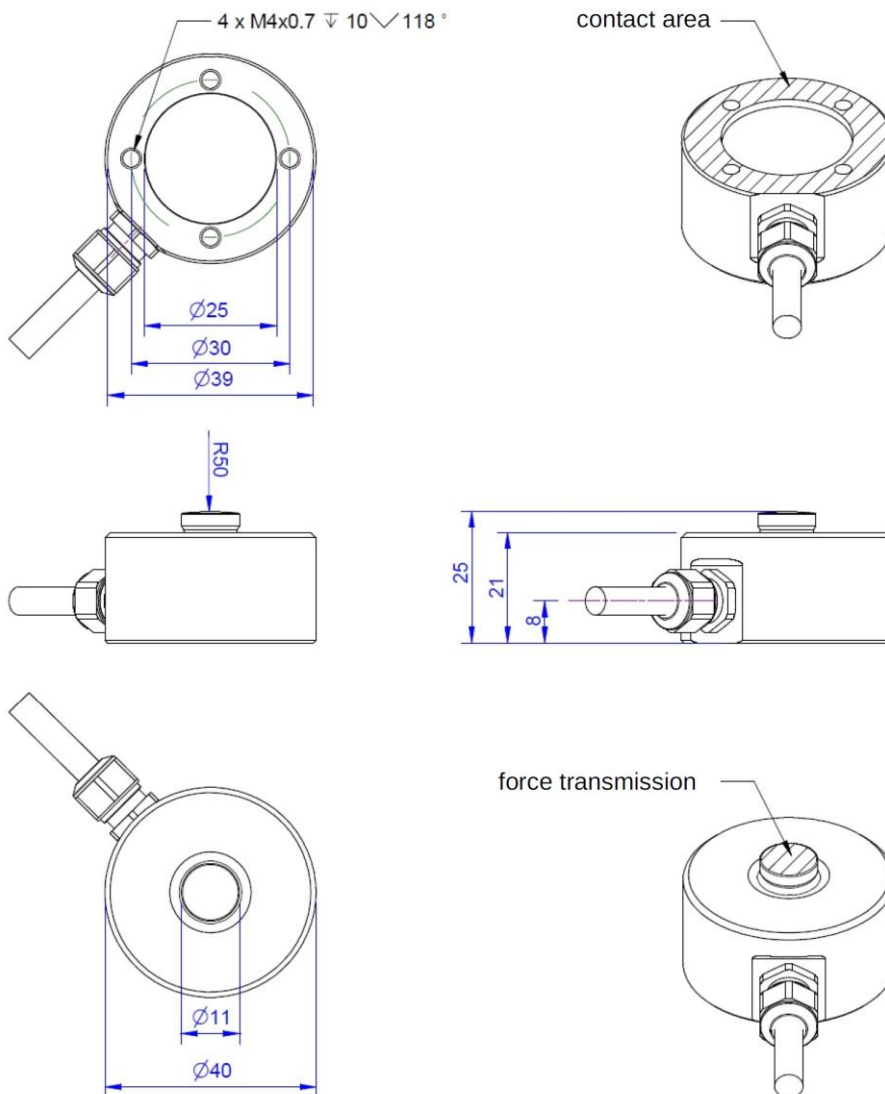
K1-M40, K1-M40d

compression force sensor

measurement range: 0,1; 0,2; 0,5; 1; 2; 5; 10; 20; 50 kN



Dimensions:



Technical Data:

Measurement / Material		
Design		Membrane load cell
Material		stainless steel 1.4542
Dimensions	mm x mm	Ø 40 x 25
Force transmission / Thread		Ø11 x 5
Mechanical Data		
Nominal Force (FS)	kN	0.1, 0.2, 0.5, 1, 2, 5, 10, 20, 50
Operation force	%FS	150
Break load	%FS	300
Deflection by FS	mm	0,06...0,08
Electrical Data		
Nominal output 1)	mV/V @ FS	1,00
Zero balance	mV/V	<0,05
max. supply voltage	V	10
Input resistance	Ohm	390 ±40
Output resistance	Ohm	350 ±1
Insulation resistance	Ohm	>2 10 ⁹
Connection		
Unitronic FD CP Plus / 4x0,14	m	3
Accuracy		
Nominal output	%	0,5 (0,2)
rel. linearity deviation	%FS	<0,1
rel. reversal error 2)	%FS	<0,05 (0,02)
Temperature coefficient of the zero signal	%FS/K	0,02
Temperature coefficient of the parameter	%RD/K	0,02
Creep Error (30 min)	%FS	0,1
Temperature		
Working temperature range	°C	-10... +70
Storage temperature range	°C	-10 ... +85
Environmental protection	°C	-10 ... +85
Working temperature range		IP67

Abbreviation : RD: „Reading“; FS: „Full Scale“;

1) The exact nominal sensitivity is indicated in the test report.

2) Values in () for K1-M40d

Pin configuration:

positive bridge supply	+Us	brown
negative bridge supply	-Us	white
positive bridge output	+U _D	green
negative bridge output	-U _D	yellow

Pressure load : positive output signal