

DRAW-WIRE

Miniature draw-wire encoder

lika

Series

SFE



- Robust and space saving construction
- Integrated incremental encoder
- Measuring length up to 2000 mm



SFE

ENVIRONMENTAL SPECIFICATIONS

Operating temperature range:	-25°C + 85°C (-13°F + 185°F)
Protection:	IP64

MECHANICAL SPECIFICATIONS

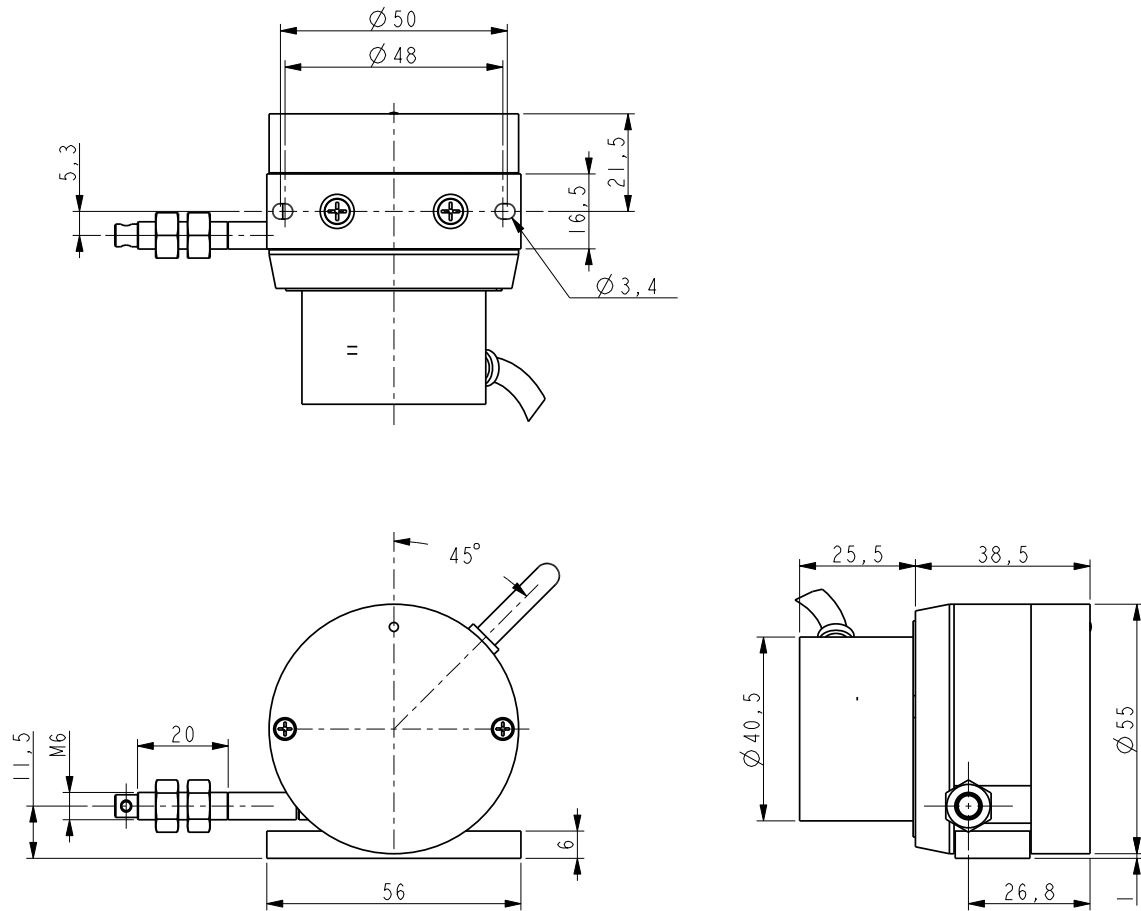
Dimensions:	see drawing
Stroke per turn:	100 mm
Wire retraction force:	3 ÷ 5 N
Measuring length:	1500, 2000 mm
Measuring speed:	1 m/sec max.
Weight:	~ 0,2 kg
Connections:	cable 2,0 m

ELECTRICAL SPECIFICATIONS

Power supply:	+5Vdc +30Vdc
Output circuit:	Universal circuit PP/LD
Resolution:	1 / 0,5 / 0,4 / 0,05 mm
Output current:	40 mA max.
Input current:	60 mA max.
Output signals:	AB, /AB

MATERIALS

Housing:	Aluminium + plastic
Wire:	stainless steel, non magnetic - UNI EN 4305



SFE

Order code

SFE	-	XXXX Ⓐ	-	X Ⓑ	-	XXX Ⓒ	-	X Ⓓ	-	XX Ⓔ
-----	---	-----------	---	--------	---	----------	---	--------	---	---------

Ⓐ MEASURING LENGTH

1500 = 1500 mm
2000 = 2000 mm

Ⓑ OUTPUT CIRCUIT

H = PP/LD universal circuit

Ⓒ RESOLUTION

100 = 1 mm (x4 = 0,25 mm)
200 = 0,5 mm (x4 = 0,125 mm)
250 = 0,4 mm (x4 = 0,1 mm)
500 = 0,2 mm (x4 = 0,05 mm)

Ⓓ POWER SUPPLY

4 = +5Vdc +30Vdc

Ⓔ CONNECTIONS

L2 = 2 meters
L4 = 4 meters
Lx = cable length on request